

Commercial status

Discontinued on: 27 December 2019

End-of-service soon on: 28 December 2023

HMISTO511 has not been replaced. Please contact your customer care center for more information.

ⓘ Restricted Sales for Services

Main

| | |
|---------------------------|--------------------|
| Range of product | Harmony STO & STU |
| Product or component type | Touch panel screen |
| Software designation | Vijeo Designer |
| Operating system | Harmony |
| Processor name | CPU RISC |

Complementary

| | |
|----------------------------|--|
| Display size | 3.4 inch |
| Display type | Backlit monochrome STN LCD |
| Background colour | Green, orange and red |
| Display resolution | 200 x 80 pixels |
| Touch panel | Analogue |
| Backlight lifespan | 10000 hours with red 50000 hours with orange 50000 hours with green |
| Brightness | 8 levels |
| Contrast | 16 levels via touch panel |
| Character font | Japanese (ANK, Kanji) Korean Chinese (simplified Chinese) ASCII Taiwanese (traditional Chinese) |
| [Us] rated supply voltage | 24 V DC +/- 20 % |
| Inrush current | 30 A |
| Local signalling | 1 LED (green) for normal operation |
| Power consumption in W | 5 W |
| Number of pages | Limited by internal memory capacity |
| Processor frequency | 333 MHz |
| Memory description | Application memory 16 MB Back up of data 128 kB |
| Integrated connection type | 1 USB 2.0 type mini B 1 USB 2.0 type A power supply - removable screw terminal block COM1 serial link - female RJ45 - RS232C/RS485 (rate: <= 115.2 kbits/s) |

Disclaimer: This documentation is not intended as a substitute for and is not to be used for determining suitability or reliability of these products for specific user applications

| | |
|------------------------|---|
| Supply | External source |
| Realtime clock | Access to the PLC real-time clock |
| Downloadable protocols | Uni-TE Third party protocols Modbus |
| Fixing mode | By 2 spring clips, mounting on 1.6...5 mm thick panel |
| Enclosure material | PPT |
| Marking | CE |
| Height | 77.5 mm |
| Width | 116.5 mm |
| Depth | 36.5 mm |

Environment

| | |
|---------------------------------------|--|
| Immunity to microbreaks | 3 ms |
| Standards | EN 61131-2 IEC 61000-6-2 UL 508 UL 1604 FCC Class A |
| Product certifications | C-Tick CE UL Class 1 Division 2 T5 GOST UL Class 1 Division 2 T4A CULus |
| Ambient air temperature for operation | 0...50 °C |
| Ambient air temperature for storage | -20...60 °C |
| Relative humidity | 0...90 % without condensation |
| Operating altitude | <= 2000 m |
| IP degree of protection | IP20 (rear panel) conforming to IEC 60529 IP65 (front panel) conforming to IEC 60529 |
| NEMA degree of protection | NEMA 4X front panel (indoor use) |
| Shock resistance | 15 gn for 11 ms conforming to IEC 60068-2-27 |
| Vibration resistance | +/- 3.5 mm (f = 5...9 Hz) conforming to IEC 60068-2-6 1 gn (f = 9...150 Hz) conforming to IEC 60068-2-6 |
| Electromagnetic compatibility | Resistance to radiated electromagnetic fields - test level: 10 V/m conforming to IEC 61000-4-3 |

Packing Units

| | |
|------------------------------|---------|
| Unit Type of Package 1 | PCE |
| Number of Units in Package 1 | 1 |
| Package 1 Weight | 360 g |
| Package 1 Height | 9 cm |
| Package 1 width | 13 cm |
| Package 1 Length | 18.5 cm |

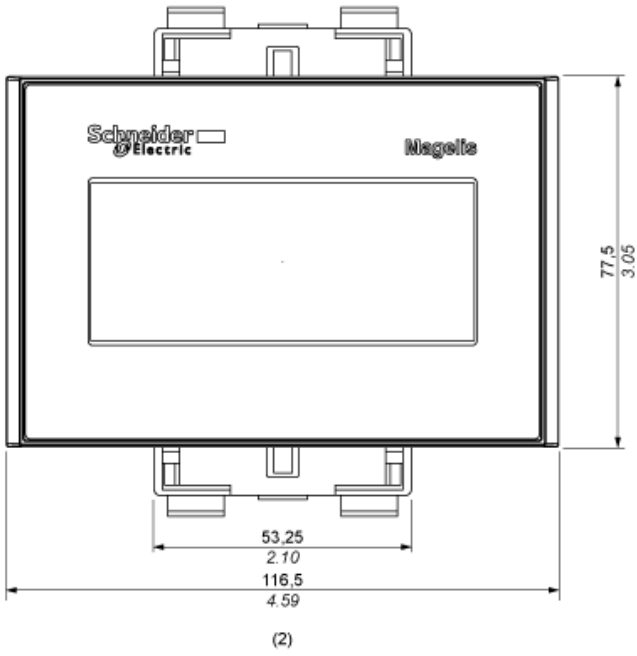
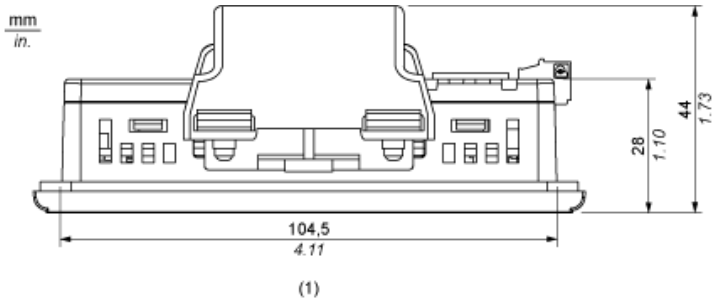
Offer Sustainability

| | |
|----------------------------|---|
| RECh Regulation | REACH Declaration |
| RECh free of SVHC | Yes |
| EU RoHS Directive | Pro-active compliance (Product out of EU RoHS legal scope) EU RoHS Declaration |
| Mercury free | Yes |
| RoHS exemption information | Yes |
| China RoHS Regulation | China RoHS declaration |
| WEEE | The product must be disposed on European Union markets following specific waste collection and never end up in rubbish bins |

Contractual warranty

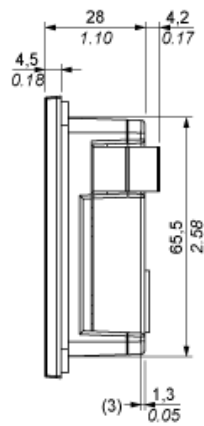
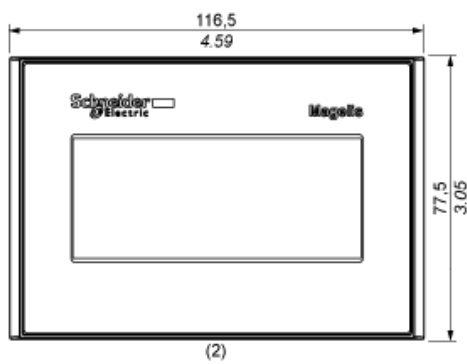
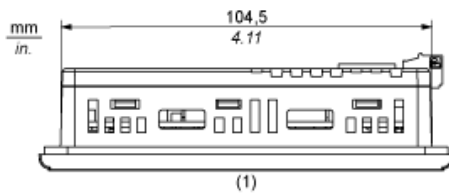
| | |
|----------|-----------|
| Warranty | 18 months |
|----------|-----------|

Dimensions with Spring Clips



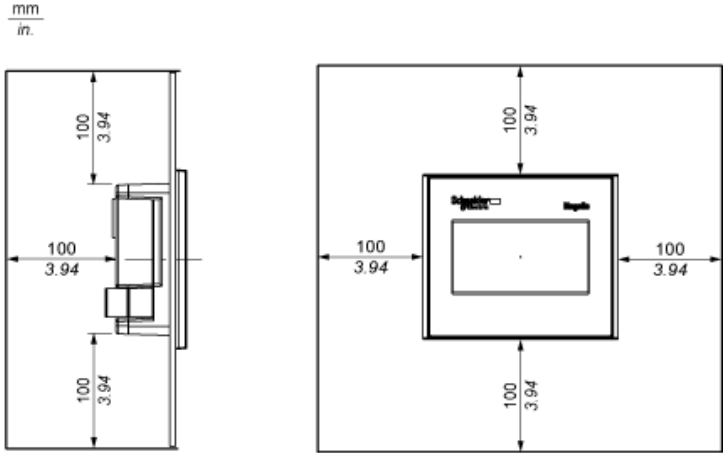
- (1) Top
- (2) Front

Dimensions without Spring Clips

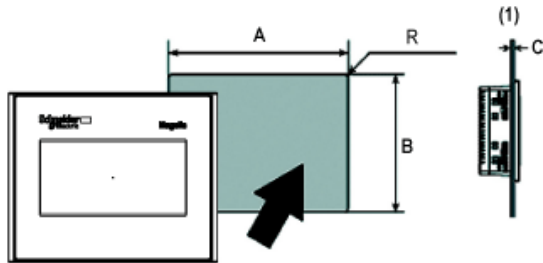


- (1) Top
- (2) Front
- (3) Right Side

Clearance



Panel Cut-out Dimensions



(1) Panel

| A (mm) | A (in.) | B (mm) | B (in.) | C (mm) Spring Clips | C (in.) Spring Clips | R (mm) | R (in.) |
|--------|---------|--------|---------|------------------------|-------------------------|------------|----------------|
| +1 | +0.04 | +1 | +0.04 | 1.5 to 6.0 | 0.059 to 0.236 | 2.0 to 3.0 | 0.078 to 0.118 |
| 105 | 4.13 | 66 | 2.59 | | | | |
| -0 | -0 | -0 | -0 | | | | |